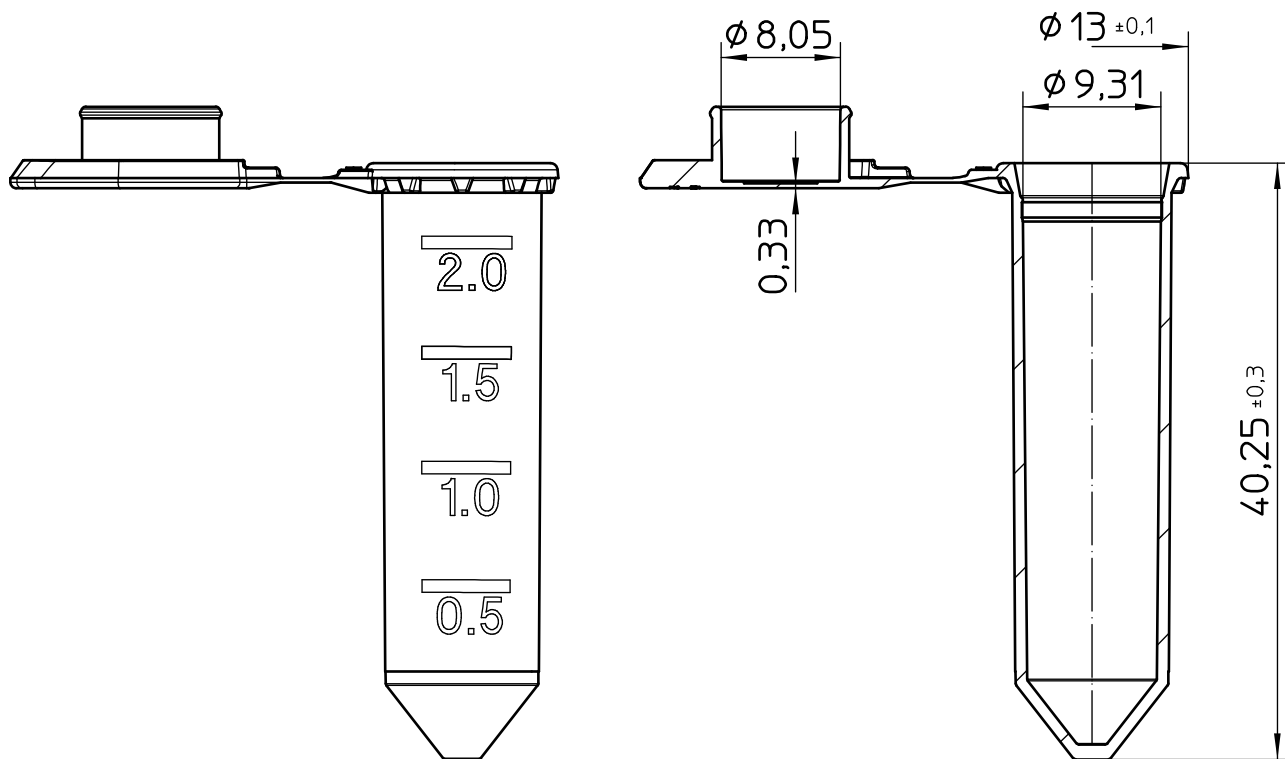


Valid for Item-No.: 623201, 623273, 623274, 623275, 623276



"All dimensions in mm"

Customer drawing subject to change without notice!

Uncontrolled Copy

Prior Issue	Drawn	Approved	Released	CONFIDENTIAL: Information contained in this document or drawing is confidential and proprietary to Greiner Bio-One GmbH. This document may not be reproduced for any reason without written permission from Greiner Bio-One GmbH. All rights of design, invention, and copyright are reserved.
Revision	Date	Date	Date	
2	2011/05/17	2021/10/07	2021/10/07	
Date	Name	Name	Name	
2012/07/25	forb	forb	schwarzj	